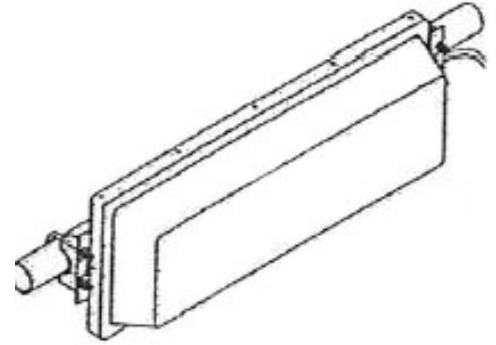


SP4701-SF3SNF(E8134) Panel directive, 10 dBd, 900-960 MHz

Also referred as: SRL4701-8134

- Compact panel antennas designed to meet micro-cell market
- Inconspicuous profile
- Mounted horizontally

Sinclair has addressed the growing need for specialized antennas in the 900-960 MHz frequency band. The SP470 series of panel antennas was designed to meet the needs of the micro-cell market. These compact radome-enclosed, horizontally-polarized antennas provide controlled directional coverage and are suitable for either pipe or wall mounting.



www.sinctech.com

Region	United States	Europe, Middle East and Africa	Caribbean and Latin America	Canada and rest of the world
<b>Telephone</b>	USA: 1 800 263 3275	International: +44 (0) 1487 84 28 19	International: +1 905 726 7676	Canada: 1 800 263 3275 International: +1 905 727 0165
<b>E-mail</b>	salesusa@sinctech.com	salesuk@sinctech.com	salesla@sinctech.com	salescan@sinctech.com

### Electrical Specifications

Frequency Range	MHz	900 to 960	
Bandwidth	MHz	60	
Connector		N-Female	
Gain (nominal)	dBd (dBi)	10 (12.1)	
Input VSWR (max)		1.5:1	
Polarization		horizontal	
Impedance	Ω	50	
Pattern		Directional	
Horizontal beamwidth (typ)	degrees	20	*1
Vertical beamwidth (typ)	degrees	95	*2
Average Power Input (max)	W	100	
Lightning protection		DC ground	
Front-to-back ratio (typ)	dB	25	

### Notes

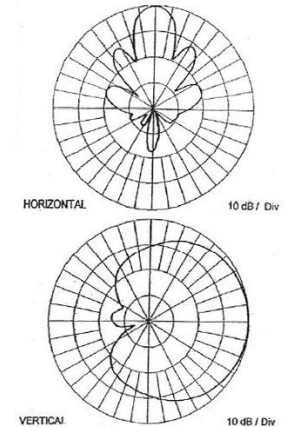
- \*1 : Horizontally mounted
- \*2 : Horizontally mounted
- \*3 : One Clamp166 kit, includes 2 clamps.

### Mechanical Specifications

Width	in (mm)	12 (305)	
Depth	in (mm)	5.5 (140)	
Length/ Height	in (mm)	35 (889)	
Radome material		ABS plastic	
Weight	lbs (kg)	7 (3.18)	
Mounting Hardware (Included)		Clamp166	*3
Actual shipping weight	lbs (kg)	10 (4.54)	
Shipping dimensions	in (mm)	12x41x6 (305x1041x152)	

### Environmental Specifications

Temperature range	°F (°C)	-40 to +140 (-40 to +60)
Wind Loading Area (Flat Plate Equivalent)	ft <sup>2</sup> (m <sup>2</sup> )	2.9 (0.27)
Wind Loading Area (1/2" ice)	ft <sup>2</sup> (m <sup>2</sup> )	3.3 (0.31)
Rated wind velocity (no ice)	mph (km/h)	100 (161)
Rated wind velocity (1/2" radial ice)	mph (km/h)	85 (137)
Lateral thrust (100 mph No Ice)	lbs (N)	116 (516)
Torsional moment (100 mph No Ice)	ft-lbs (Nm)	50 (67.5)



Region	United States	Europe, Middle East and Africa	Caribbean and Latin America	Canada and rest of the world
<b>Telephone</b>	USA: 1 800 263 3275	International: +44 (0) 1487 84 28 19	International: +1 905 726 7676	Canada: 1 800 263 3275 International: +1 905 727 0165
<b>E-mail</b>	salesusa@sinctech.com	salesuk@sinctech.com	salesla@sinctech.com	salescan@sinctech.com